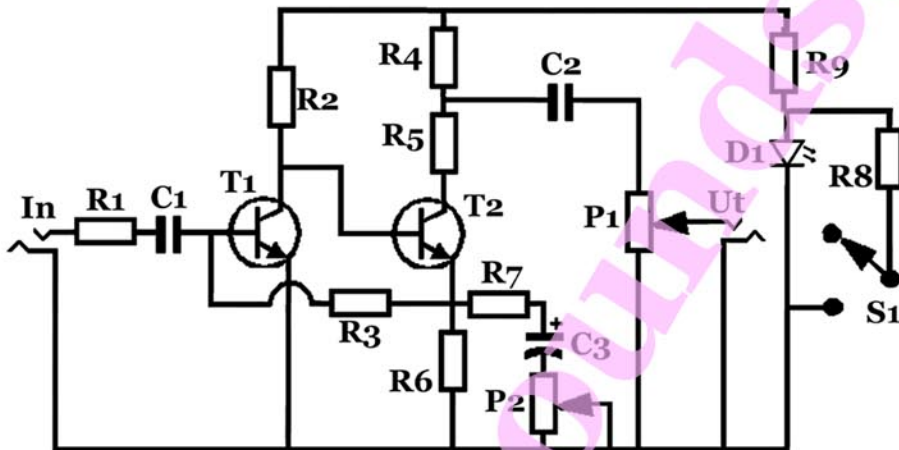


moody®

Fuzz Kit



C1 = 22 nF (betecknad "22n 100")
C2 = 100 nF (betecknad ".1 63")
C3 = 22 uF (cylinderformad)
R1, R5 = 6k8 (blå grå svart brun brun)
R3 = 100 k (brun svart svart orange brun)

R2 = 33 k (orange orange svart röd brun)
R4, R8 = 470 Ω (gul lila svart svart brun)
R6 = 1 k (brun svart svart brun brun)
D1 = Lysdiod

R7 = 47 Ω (gul lila svart guld brun)
R9 = 3k9 (orange vit svart brun brun)
T1, T2 = BC547B

Lysdiodhållare
Injack (två armar)
Utjack (en arm)
Strömjack
Batterikontakt
P1 = 250 k (Volym, betecknad "A250k")
P2 = 1 k (Fuzz, betecknad "C1k")
Potentiometerrattar
Fotomkopplare (S1)
Kretskort

Modifieringskomponenter

Transistorer: BC108C
Kondensator: 10 nF, 100 nF
Resistorer:
1k (brun svart svart brun brun)
220k (röd röd svart orange brun)

C1 = 22 nF (denoted "22n 100")
C2 = 100 nF (denoted ".1 63")
C3 = 22 uF (cylinder shaped)
R1, R5 = 6k8 (blue grey black brown brown)
R3 = 100 k (brown black black orange brown)

R2 = 33 k (orange orange black red brown)
R4, R8 = 470 Ω (yellow purple black black brown)
R6 = 1 k (brown black black brown brown)
D1 = Light Emitting Diode

R7 = 47 Ω (yellow purple black gold brown)
R9 = 3k9 (orange white black brown brown)
T1, T2 = BC547B

LED socket
Input jack (two arms)
Output jack (one arm)
Current jack
Battery clip
P1 = 250 k (Volume, denoted "A250k")
P2 = 1 k (Fuzz, denoted "C1k")
Potentiometer knobs
Footswitch (S1)
Pcb

Modifying Components

Transistors: BC108C
Capacitor: 10 nF, 100 nF
Resistors:
1k (brown black black brown brown)
220k (red red black orange brown)