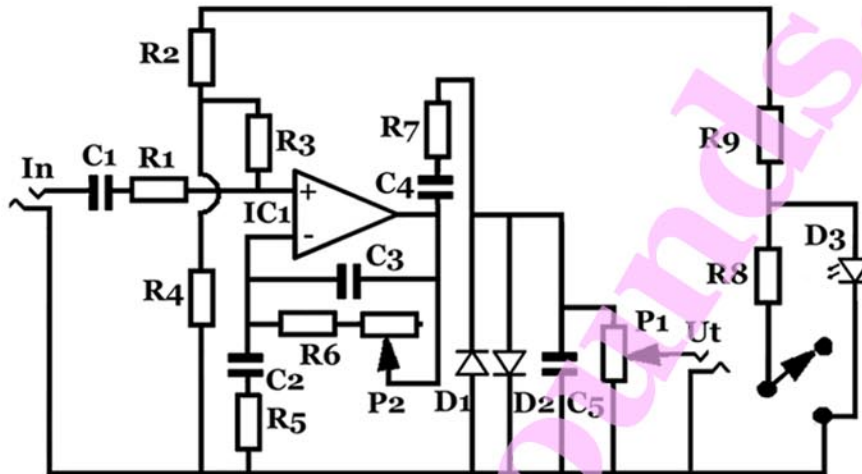


moody[®]

Overdrive Kit



C1 = 10 nF (betecknad "10n J 100")
 C2, C4 = 100 nF (betecknade ".1 63")
 R1, R2, R4, R7 =
 10 k (brun svart svart röd brun)
 R3 = 1 M (brun svart svart gul brun)
 D3 = Lysdiod

C3 = 470 pF (keramisk kondensator)
 C5 = 22 nF (betecknad "22n 100")
 R5 = 1k5 (brun grön svart brun brun)
 R6 = 33 k (orange orange svart röd brun)

R8 = 470 Ω (gul lila svart svart brun)
 R9 = 3k9 (orange vit svart brun brun)
 D1, D2 = 1N4148 (orange med svart ring)
 IC1 (uA741) med hållare

Lysdiodhållare
 Injack (2 armar)
 Utjack (1 arm)
 Strömjack
 Batterikontakt
 P1 = 250 k (Volym, betecknad "A250k")
 P2 = 250 k (Drive, betecknad "A250k")
 Potentiometerrattar
 Fotomkopplare (S1)
 Kretskort

Modifieringskomponenter

Resistorer:
 1 k (brun svart svart brun brun)
 1 M (brun svart svart gul brun)
 Kondensatorer: 1 nF, 47 nF
 Dioder: 1N4148, LED

C1 = 10 nF (denoted "10n J100")
 C2, C4 = 100 nF (denoted ".1 63")
 R1, R2, R4, R7 =
 10 k (brown black black red brown)
 R3 = 1 M (brown black black yellow brown)
 D3 = Light Emitting Diode

C3 = 470 pF (ceramic capacitor)
 C5 = 22 nF (denoted "22n 100")
 R5 = 1k5 (brown green black brown brown)
 R6 = 33 k (orange orange black red brown)

R8 = 470 Ω (yellow purple black black brown)
 R9 = 3k9 (orange white black brown brown)
 D1, D2 = 1N4148 (orange with black ring)
 IC1 (uA741) and IC socket

LED Socket
 Input Jack (two arms)
 Output Jack (one arm)
 Current Jack
 Battery Clip
 P1 = 250 k (Volume, denoted "A250k")
 P2 = 250 k (Drive, denoted "A250k")
 Potentiometer Knobs
 Foot Switch (S1)
 Pcb

Modifying Components

Resistors:
 1 k (brown black black brown brown)
 1 M (brown black black yellow brown)
 Capacitors: 1 nF, 47 nF
 Diodes: 1N4148, LED