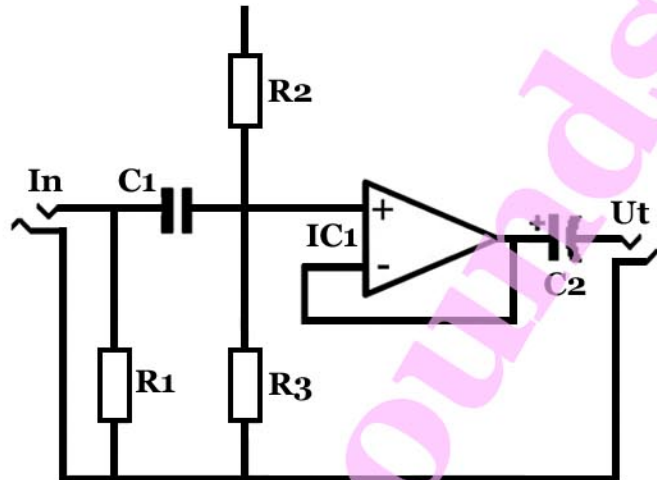


moody®

Buffer Kit



C1 = 100 nF (betecknad ".1 63")

C2 = 22 uF (cylinderformad)

R1, R2, R3 = 2M2 (röd röd svart gul brun)

IC1 = TL071

C1 = 100 nF (denoted ".1 63")

C2 = 22 uF (cylinder shaped)

R1, R2, R3 = 2M2 (red red black yellow brown)

IC1 = TL071

